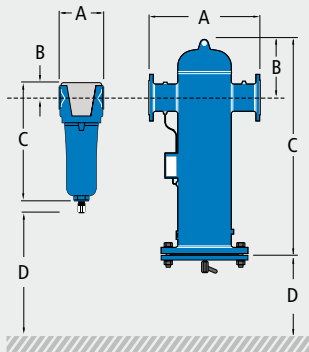


The range of alpha series grade X5 micron coalescing filters are used for removing high concentrations of oil from compressed air.

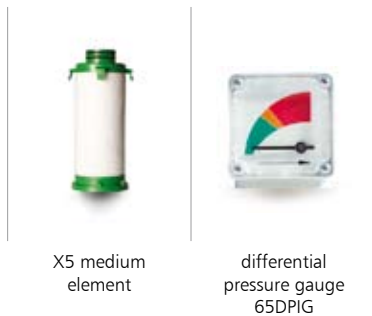
X5 medium filtration

filter model	pipe size	flow rate		dimensions (mm)				weight Kg	element model	no. of elements
		Nm ³ /h	SCFM	A	B	C	D			
A018 X5	¼"	13.6	8	50	18	152	75	0.3	E0304 X5	1
A019 X5	¼"	25.5	15	50	18	152	75	0.3	E0305 X5	1
A028 X5	¼"	42.5	25	70	25	191	85	0.6	E0406 X5	1
A038 X5	⅜"	59.5	35	70	25	191	95	0.6	E0407 X5	1
A058 X5	½"	85.0	50	70	25	232	135	0.7	E0413 X5	1
A059 X5	½"	119	70	100	35	276	155	1.6	E0613 X5	1
A078 X5	¾"	144	85	100	35	276	155	1.6	E0613 X5	1
A079 X5	¾"	212	125	100	35	396	225	2.0	E0620 X5	1
A108 X5	1"	229	135	100	35	396	225	2.0	E0620 X5	1
A109 X5	1"	297	175	100	35	396	275	2.0	E0625 X5	1
A128 X5	1¼"	476	280	122	42	460	320	2.8	E0730 X5	1
A158 X5	1½"	545	320	122	42	460	320	2.8	E0730 X5	1
A159 X5	1½"	680	400	146	52	482	325	4.2	E0830 X5	1
A208 X5	2"	765	450	146	52	482	325	4.2	E0830 X5	1
A209 X5	2"	1190	700	146	52	785	630	6.3	E0860 X5	1
A254 X5	2½"	1445	850	210	66	595	410	8.5	E1140 X5	1
A340 X5	3"	1530	900	210	66	595	410	8.5	E1140 X5	1
A360 X5	3"	2125	1250	210	66	815	630	10.5	E1160 X5	1
A390 X5	3"	2550	1500	210	66	975	785	12.0	E1175 X5	1
A391 X5	DN80	2160	1270	450	265	1205	700	58	E139 X5	1
A483 X5	DN100	3100	1824	520	285	1245	700	74	E88 X5	3
A484 X5	DN100	4250	2500	520	285	1245	700	74	E88 X5	4
A686 X5	DN150	6500	3824	680	400	1400	700	165	E88 X5	6
A688 X5	DN150	8720	5130	780	400	1430	700	208	E88 X5	8
A8810 X5	DN200	11000	6470	780	400	1460	700	260	E88 X5	10
A10816 X5	DN250	17000	10000	900	550	1570	700	450	E88 X5	16
A12824 X5	DN300	25500	15000	900	600	1620	700	740	E88 X5	24



A018 X5 to A390 X5 | A391 X5 to A12824 X5

Replacements and spare parts (refer to pages 38 – 41)



X5 medium element

differential pressure gauge 65DPUG

specification

Grade	X5	
Maximum particle size class to ISO 8573-1:2001 (E)	3	
Maximum oil content class to ISO 8573-1:2001 (E)	4	
Particle removal	5 micron	
Maximum oil carryover at 20°C (68°F)	5 mg/m ³	4.1 ppm
Maximum temperature	up to 120°C	up to 248°F
Maximum working pressure	16 barg	232 psig
Element end cap colour	green	

technical notes

- 1 Direction of air flow is inside to out through the filter element.
- 2 Pop up indicators (65DPUG) are fitted to models A028 X5 to A058 X5 as standard. Differential pressure indicators (65DPUG) are fitted to models A059 X5 to A390 X5.
- 3 Threaded filters are fitted with float operated automatic drain valves. ADV6000C on models A018 X5 to A058 X5 and ADV6000 on models A059 X5 to A390 X5. Flanged filters are fitted with manual drain valves. On models A391 X5 to A8810 X5, ½" are fitted; ¾" on models A10816 X5 to A12824 X5.
- 4 Models A059 X5 to A390 X5 can be adapted to use ¼" drains with a reducer.
- 5 An additional ½" side entry port is included on models A391 X5 to A8810 X5, ¾" for A10816 X5 and A12824 X5.

