

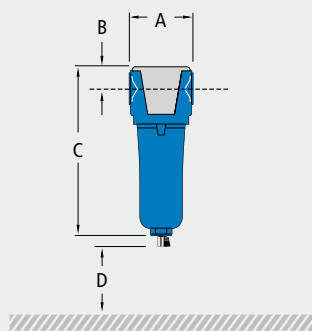
MS

Our range of alpha series medical sterile filters has been specifically designed for medical compressed air plants, as used in hospitals throughout the world. This range meets all requirements of the UK Health Technical Memorandum 02-01 guidance on medical gas pipeline systems.

## medical sterile filters

MARCH 2010

filter model	pipe size	flow rate		dimensions (mm)				weight Kg	element model
		Nm <sup>3</sup> /h	SCFM	A	B	C	D		
A019 MS	¼	25.5	15	50	18	152	75	0.5	E0305 SR
A028 MS	¼	42.5	25	70	25	191	85	0.8	E0407 SR
A038 MS	⅜	59.5	35	70	25	191	95	0.8	E0407 SR
A058 MS	½	85.0	50	70	25	232	135	0.9	E0413 SR
A059 MS	½	119	70	100	35	276	155	2.0	E0613 SR
A078 MS	¾	144	85	100	35	276	155	2.0	E0613 SR
A109 MS	1	297	175	100	35	396	275	2.4	E0625 SR
A128 MS	1¼	476	280	122	42	460	320	3.3	E0730 SR
A158 MS	1½	545	320	122	42	460	320	3.3	E0730 SR
A159 MS	1½	680	400	146	52	482	325	4.9	E0830 SR
A208 MS	2	765	450	146	52	482	325	4.9	E0830 SR
A209 MS	2	1190	700	146	52	785	630	7.0	E0860 SR
A254 MS	2½	1445	850	210	66	595	410	9.6	E1140 SR
A340 MS	3	1530	900	210	66	595	410	9.6	E1140 SR
A360 MS	3	2125	1250	210	66	815	630	11.6	E1160 SR
A390 MS	3	2550	1500	210	66	975	785	13.1	E1175 SR



A019 MS to A390 MS

### Replacements and spare parts (refer to pages 38 – 41)



sterile filter element

## specification

Grade	SR	
Particle removal	0.01 micron	
Maximum temperature	120°C (50°C recommended)	248°F (122°F recommended)
Maximum autoclave temperature	134°C	273°F
Maximum working pressure	16 barg	232 psig
Element end cap material	stainless steel	

### technical notes

- 1 Filter element endcaps are stainless steel.
- 2 Direction of air flow is outside to in through the filter element.
- 3 Pop up indicators (65DPUG) are fitted to models A028 MS, A038 MS and A058 MS as standard. Differential pressure indicators (65DPiG) are fitted to models A059 MS to A390 MS as standard.
- 4 Manual drain valves are fitted to all models. Models A059 MS to A390 MS can be adapted to use ¼" drains with a reducer.
- 5 Medical sterile filter elements must not operate in water or oil saturated conditions.
- 6 Maximum steam sterilising temperature refers to the filter element ONLY. Grade SR filter elements can be steam sterilised 100 times. Each element must be autoclaved before commencement of duty.
- 7 Pre filtration should be used in conjunction with 0.01 micron sterile filters.

