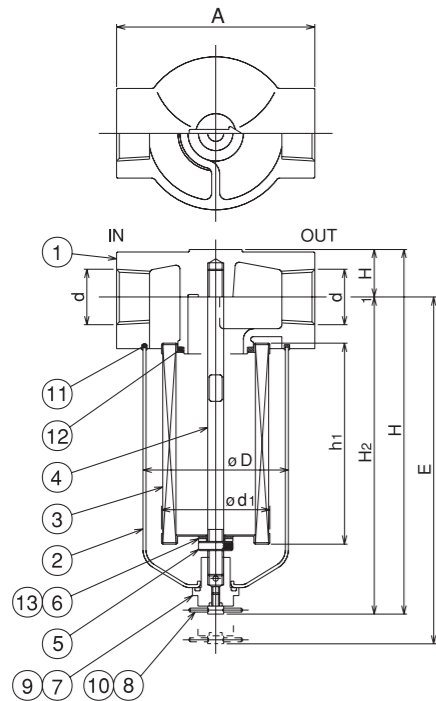


1. Thread type low pressure line filter of maximum operating pressure of 0.5 MPa.
2. Please contact us for use of fluids other than mineral oil on packing, O-rings and other parts.
3. Magnet is available in Additional Option.
4. Indicator and relief valve cannot be installed.



Part List

13	Packing	NBR	1	
12	Packing	NBR	1	
11	Packing	NBR	1	
10	O-ring	NBR	1	JISB 2401. 1A
9	O-ring	NBR	1	JISB 2401. 1A
8	Drain plug	SS400	1	
7	Nut	SS	1	
6	Washer	SS	1	
5	Round nut	SS400	1	
4	Center rod	SS400	1	
3	Element		1	
2	Lower cover	SPCE	1	
1	Upper cover	AC2B	1	
Part No.	Part Name	Material	Qty	Remarks

O-ring and Packing

Part No.	9	10	11	12	13
Model					
LN-10	P25	P7	t4×φ 111.7/104.3	t3×φ 58/48	t2×φ 26/12
LN-12	P25	P7	t4×φ 126.6/116	t3×φ 85/72	t2×φ 32/16
LN-20	P34	P9	t3×φ 181/165	t3×φ 110/92	t2×φ 40/20
LN-24					

Dimensions and Standard Flow Rates

Symbol Model	d	H	H ₁	H ₂	A	D	Element Allowance E	Element		Mass (kg)	Standard Flow Rate (ℓ/min)
								h ₁	d ₁		
LN-10	Rc1 1/4	276	36	240	150	110	370	*1 150	83	2.6	120
LN-12	Rc1 1/2										160
LN-16	Rc2	370	44	326	160	124.6	481	200	104	4.0	260
LN-20	Rc2 1/2	495	65	430	215	172	650	260	124	7.8	430
LN-24	Rc3						690	300	124	7.8	600

*1 Dimension for Notch Wire Element : 152

Quick delivery of filters in with mineral oil use. Please contact us on delivery time for others.

Model Code

Fluid Type — LN — Inner Diameter — Filtration Rating — Option

Code	Fluid	Code	Inner Dia.	Code	Filtration	Media	Code	Magnet
Blank	Mineral oil	10	Rc1 1/4	※ 8C	8 microns	C fiber	Blank	None
F	Phosphate ester-based oil	12	Rc1 1/2	※ 25C	25 microns	Paper	M	With
G	Water glycol-based oil	16	Rc2	☆ 10U	10 microns			
		20	Rc2 1/2	★ 20U	20 microns			
		24	Rc3	★ 40U	40 microns	Wire (SUS)		
				5UW	5 microns			
				10UW	10 microns			
				20UW	20 microns			
				40UW	40 microns			
				50UW	50 microns			
				200W	200 mesh	Notch wire		
				150W	150 mesh			
				100W	100 mesh			
				60W	60 mesh			
				50UK	50 microns			
				200K	200 mesh			
				150K	150 mesh			
				100K	100 mesh			
				60K	60 mesh			

※ 8C : β₈ ≥ 200
 ※ 25C : β₂₅ ≥ 200
 ★ Not to be used with water glycol-based oil.
 ☆ Filter media used for water glycol-based oil differs from that for mineral oil.

Coding Example F-LN-24-8C-M

Spares

Element

P — Fluid Type — LN — Inner Diameter — Filtration Rating

Coding example: P-F-LN-24-8C

Sealing parts set

● For element replacement (Part No. with ○ in “O-ring and packing”.)

SP — Fluid Type — LN — Inner Diameter

Coding example: SP-F-LN-24

● For overhaul

SA — Fluid Type — LN — Inner Diameter

Coding example: SA-F-LN-24

Flow Rate Chart

● ISO VG32 ● Viscosity: 32 cSt (40°C)

