



# HIL⊕ Filter Housing

- industrial liquid

- Industrial single element liquid housing
- Available in 3 different housing classes: ATEX, CE and High Pressure
- Industrial and industrial-electropolished surface finishes available
- Suitable for cartridge types DOE or 222
- Fabricated 'C' style version available (Not Cast Head)



Parker-filter.ru

## Specification

### Materials of Construction

- Housing: 316L Stainless Steel (Cast Head)
- Seals: EPDM FDA, PTFE FDA, Silicone FDA, Viton FDA

### Surface Finish

#### Two Finished Available:

- Industrial Finish
  - Head-Cast, Pickled & Passivated
  - Bowl Internal: As Welded
  - Bowl External: Polished 0.8 µm Ra
- Industrial Electropolished Finish
  - Head-Cast, Pickled & Passivated
  - Bowl Internal: Electropolished
  - Bowl External: Polished 0.8 µm Ra

### Welding

All assembly welds are full penetration. All welds are crevice and undercut free. Weld finish & detail drawings available upon request.

### Design Code

Housings designed in accordance with the European Council Pressure Equipment Directive (PED) 97/23/EC and the UK statutory Pressure Equipment Regulations (PER) 1999 N° 2001.

### Design Basis

ASME VIII Division 1.  
ATEX 94/9/EC (where applicable)



ATEX Working Condition PED 97/23/EC			Maximum Pressure			
Fluid Group	State	Temperature	011	012	013	014
Non Dangerous	Gas / Vapour	135 °C (275 °F)	10.00 barg (145.03 psig)	10.00 barg (145.03 psig)	10.00 barg (145.03 psig)	10.00 barg (145.03 psig)
Dangerous	Gas / Vapour	135 °C (275 °F)	5.00 barg (72.51 psig)	5.00 barg (72.51 psig)	5.00 barg (72.51 psig)	5.00 barg (72.51 psig)
Non Dangerous	Liquid	135 °C (275 °F)	10.00 barg (145.03 psig)	10.00 barg (145.03 psig)	10.00 barg (145.03 psig)	10.00 barg (145.03 psig)
Dangerous	Liquid	135 °C (275 °F)	5.00 barg (72.51 psig)	5.00 barg (72.51 psig)	5.00 barg (72.51 psig)	5.00 barg (72.51 psig)
PED Conformity Assessment Category			SEP	CAT I	CAT I	CAT I
Volume (litres)			3.2	5.1	7.0	8.9

CE Working Condition PED 97/23/EC			Maximum Pressure			
Fluid Group	State	Temperature	011	012	013	014
Non Dangerous	Gas / Vapour	150 °C (302 °F)	10.00 barg (145.03 psig)	10.00 barg (145.03 psig)	10.00 barg (145.03 psig)	10.00 barg (145.03 psig)
Dangerous	Gas / Vapour	150 °C (302 °F)	5.00 barg (72.51 psig)	5.00 barg (72.51 psig)	5.00 barg (72.51 psig)	5.00 barg (72.51 psig)
Non Dangerous	Liquid	150 °C (302 °F)	10.00 barg (145.03 psig)	10.00 barg (145.03 psig)	10.00 barg (145.03 psig)	10.00 barg (145.03 psig)
Dangerous	Liquid	150 °C (302 °F)	5.00 barg (72.51 psig)	5.00 barg (72.51 psig)	5.00 barg (72.51 psig)	5.00 barg (72.51 psig)
PED Conformity Assessment Category			SEP	CAT I	CAT I	CAT I
Volume (litres)			3.2	5.1	7.0	8.9

High Pressure Working Condition PED 97/23/EC			Maximum Pressure			
Fluid Group	State	Temperature	011	012	013	014
Non Dangerous	Gas / Vapour	205 °C (401 °F)	16.00 barg (232.06 psig)	16.00 barg (232.06 psig)	16.00 barg (232.06 psig)	16.00 barg (232.06 psig)
Non Dangerous	Liquid	205 °C (401 °F)	16.00 barg (232.06 psig)	16.00 barg (232.06 psig)	16.00 barg (232.06 psig)	16.00 barg (232.06 psig)
PED Conformity Assessment Category			CAT I	CAT I	CAT I	CAT I
Volume (litres)			3.2	5.1	7.0	8.9

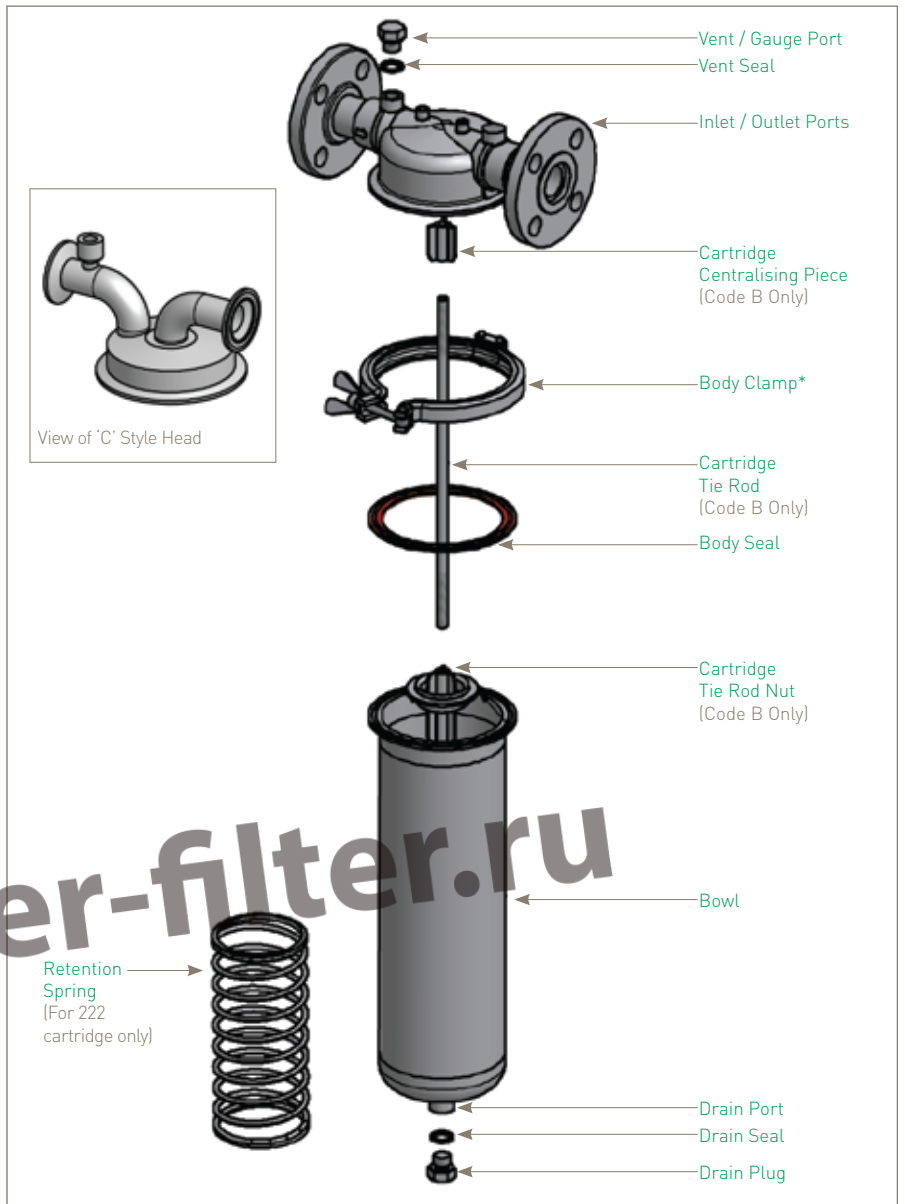
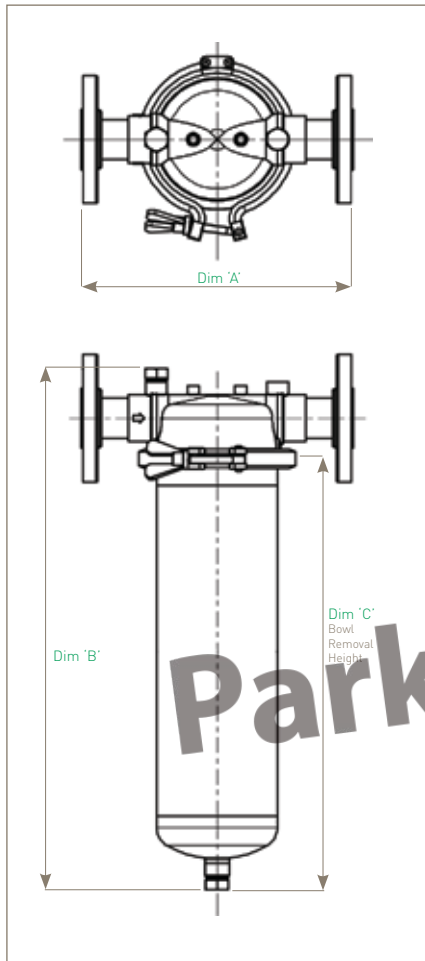
адрес: Россия, 141014, Мытищи, ул. Веры Володиной, 20-179

info@parker-filter.ru +7 (499) 391-48-55 parker-filter.ru

## Physical Characteristics

Bowl Height	Dimensions (mm)	Dimensions (mm)			Typical Weight (Kg)		
		'A'	'B'	'C'	Bowl	Head	Total
10" (250 mm)	230 441 297	1.5	5.4	7.8			
20" (500 mm)	230 691 550	2.5	5.4	8.9			
30" (750 mm)	230 936 814	3.5	5.4	10.0			
40" (1000 mm)	230 1186 1058	4.5	5.4	11.1			

Dimensions shown are for a vessel with 1" BS4504 DIN 2633 ports, 1/4" BSPP vent and drain. For other formats, please contact Parker domnick hunter.



\*Double bolted clamp required for HP and PTFE seal options

## Ordering Information

**HIL**  **01**      -   -

Code   Vessel Class	Code   Length (Nominal)	Code   Connection Size	Code   Standard	Code   Cartridge	Code   Seal	Code   Vent	Code   Drain									
AT ATEX CE Standard HP* High Pressure	1 10" (250 mm) 2 20" (500 mm) 3 30" (750 mm) 4 40" (1000 mm)	B 1" (25.4 mm) Y 1 1/2" (38.1 mm)	B* BSPP (F) F ANSI RF150 <sup>(1)</sup> H ANSI RF 300 L BS4504 DIN2633 N* NPT (F) T*° Tri-clamp	B DOE C 226 (Fabricated Head) D 222	E EPDM P* PTFE S Silicone V Viton	B 1/4" BSPP N 1/4" NPT X° No Vent	B 1/4" BSPP N 1/4" NPT									
* Supplied complete with a double bolted clamp				* Double bolted clamp required		* Only available with 'C' Style cartridge configuration										
* Only available in 1" connection ° Not suited for High Pressure Vessels. HP Vessels to use ANSI RF 300. ° Only available with 'C' Style cartridge configuration				<table border="1"> <thead> <tr> <th>Code   Surface Finish</th> <th>Internal</th> <th>External</th> </tr> </thead> <tbody> <tr> <td>E Industrial Electropolished</td> <td>Electropolished</td> <td>0.8 µm</td> </tr> <tr> <td>I Industrial</td> <td>As Welded</td> <td>0.8 µm</td> </tr> </tbody> </table>				Code   Surface Finish	Internal	External	E Industrial Electropolished	Electropolished	0.8 µm	I Industrial	As Welded	0.8 µm
Code   Surface Finish	Internal	External														
E Industrial Electropolished	Electropolished	0.8 µm														
I Industrial	As Welded	0.8 µm														
							<table border="1"> <thead> <tr> <th>Code   Tagged</th> <th>Yes</th> <th>No</th> </tr> </thead> <tbody> <tr> <td>T</td> <td>Yes</td> <td>No</td> </tr> <tr> <td>X</td> <td>No</td> <td>Yes</td> </tr> </tbody> </table>	Code   Tagged	Yes	No	T	Yes	No	X	No	Yes
Code   Tagged	Yes	No														
T	Yes	No														
X	No	Yes														

For Tagged Options customer identification numbers required at time of ordering

