

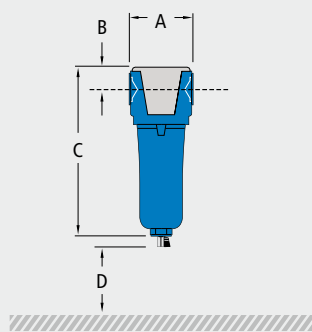
VLR VX1

Our range of alpha series vacuum pump protection filters have a rating of 0.1 Torr and are suitable for both rough and high vacuum applications.

vacuum pump protection filters

MARCH 2010

filter model	pipe size	exhaust flow rate (vacuum displacement)		dimensions (mm)				weight Kg	element model
		Nm ³ /h	SCFM	A	B	C	D		
A038 (grade)	3/8	7	4.1	70	25	191	95	0.6	E0407 (grade)
A058 (grade)	1/2	11	6.5	70	25	232	135	0.7	E0413 (grade)
A059 (grade)	1/2	20	11.8	100	35	276	155	1.6	E0613 (grade)
A078 (grade)	3/4	25	14.7	100	35	276	155	1.6	E0613 (grade)
A079 (grade)	3/4	35	20.6	100	35	396	225	2.0	E0620 (grade)
A108 (grade)	1	40	23.5	100	35	396	225	2.0	E0620 (grade)
A109 (grade)	1	50	29.4	100	35	396	275	2.0	E0625 (grade)
A128 (grade)	1 1/4	75	44.1	122	42	460	320	2.8	E0730 (grade)
A158 (grade)	1 1/2	85	50.0	122	42	460	320	2.8	E0730 (grade)
A159 (grade)	1 1/2	100	59.0	146	52	482	325	4.2	E0830 (grade)
A208 (grade)	2	115	67.5	146	52	482	325	4.2	E0830 (grade)
A209 (grade)	2	180	106	146	52	785	630	6.3	E0860 (grade)
A254 (grade)	2 1/2	200	118	210	66	595	410	8.5	E1140 (grade)
A340 (grade)	3	235	138	210	66	595	410	8.5	E1140 (grade)
A360 (grade)	3	360	212	210	66	815	630	10.5	E1160 (grade)
A390 (grade)	3	490	288	210	66	975	785	12.0	E1175 (grade)



A038 (grade) to A390 (grade)

specification

Grade	VLR		VX1	
Particle removal	5 micron		1 micron	
Maximum temperature	120°C	248°F	120°C	248°F
Maximum working pressure	16 barg	232 psig	16 barg	232 psig
Maximum working vacuum	full vacuum		full vacuum	
Element end cap colour code	green		red	

technical notes

- 1 Direction of air flow is inside to out through the filter element.
- 2 Pop up indicators (65DPUGA-100) are fitted to models A038 to A058. Differential pressure gauges (65DPG250G) are fitted to models A059 to A390 as standard.
- 3 Manual drain valves are fitted to all models. Models A059 to A390 can be adapted to use 1/4" drains with a reducer.
- 4 Drain flasks are available for liquid collection for use at atmospheric pressure or vacuum only.



tel +44 (0)191 417 7816 fax +44 (0)191 415 3748

email sales@walkerfiltration.co.uk web www.walkerfiltration.com