

Walker Filtration offer three types of alpha series vacuum pump exhaust filters, all of which are designed for oil mist removal from oil injected vacuum pumps.

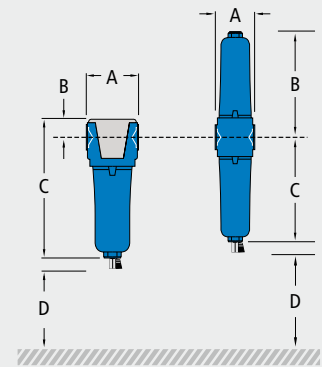
vacuum pump exhaust filters

EF

filter model	pipe size	exhaust flow rate (vacuum displacement)		dimensions (mm)				weight Kg	element model
		Nm ³ /h	SCFM	A	B	C	D		
A038 EF	3/8	7	4.1	70	25	191	95	0.6	E0407 EF
A058 EF	1/2	11	6.5	70	25	232	135	0.7	E0413 EF
A059 EF	1/2	20	11.8	100	35	276	155	1.6	E0613 EF
A078 EF	3/4	25	14.7	100	35	276	155	1.6	E0613 EF
A079 EF	3/4	35	20.6	100	35	396	225	2.0	E0620 EF
A108 EF	1	40	23.5	100	35	396	225	2.0	E0620 EF
A109 EF	1	50	29.4	100	35	396	275	2.0	E0625 EF
A128 EF	1 1/4	75	44.1	122	42	460	320	2.8	E0730 EF
A158 EF	1 1/2	85	50.0	122	42	460	320	2.8	E0730 EF
A159 EF	1 1/2	100	59.0	146	52	482	325	4.2	E0830 EF
A208 EF	2	115	67.5	146	52	482	325	4.2	E0830 EF
A209 EF	2	180	106	146	52	785	630	6.3	E0860 EF
A254 EF	2 1/2	200	118	210	66	595	410	8.5	E1140 EF
A340 EF	3	235	138	210	66	595	410	8.5	E1140 EF
A360 EF	3	360	212	210	66	815	630	10.5	E1160 EF
A390 EF	3	490	288	210	66	975	785	12.0	E1175 EF
D038 EFC	3/8	7	4.1	70	163	159	95	0.9	E0407 EF / E0407 AC
D058 EFC	1/2	11	6.5	70	204	200	135	1.0	E0413 EF / E0413 AC
D059 EFC	1/2	20	11.8	100	240	236	155	2.3	E0613 EF / E0613 AC
D078 EFC	3/4	25	14.7	100	240	236	155	2.3	E0613 EF / E0613 AC
D079 EFC	3/4	35	20.6	100	360	356	225	3.1	E0620 EF / E0620 AC
D108 EFC	1	40	23.5	100	360	356	225	3.1	E0620 EF / E0620 AC
D109 EFC	1	50	29.4	100	360	356	275	3.2	E0625 EF / E0625 AC

specification

Grade	EF		AC	
Particle removal	0.1 micron		0.1 micron	
Maximum oil carryover at 20°C (68°F)	1 mg/m ³	0.82 ppm	1 mg/m ³	0.82 ppm
Maximum temperature	120°C	248°F	120°C	248°F
Element end cap colour code	black		black	



A038 EF to A390 EF | D038 EFC to D109 EFC

technical notes

- 1 Duplex filters offer 2 stage filtration within one filter unit. Each filtration package provides an EF grade element in the lower section for oil removal, while the AC grade element in the upper section is for odour removal.
- 2 Direction of air flow is inside to out through EF grade and outside to in through AC grade filter element.
- 3 Differential pressure (DP) equipment fitted as standard (excluding AC grade filters): 65DPUGA-100 pop-up indicators to models A038 to A058, 65DPG250G gauges to models A059 to A390.
- 4 Manual drain valves are fitted to all models. Models A059/D059 to A109/D109 can be adapted to use 1/4" drains with a reducer.
- 5 Drain flasks are available for liquid collection, for use at atmospheric pressure or vacuum only.
- 6 Activated carbon filters must not operate in oil saturated conditions and will not remove certain types of gases including carbon monoxide (CO) and carbon dioxide (CO₂).

