

Walker Filtration offer alpha series dust removal filters for installation downstream of regenerative compressed air and gas dryers. These filters ensure protection of the equipment from dust carryover. Grade RAC will also remove odours.

# dust filtration

# RX

filter model	pipe size	flow rate		dimensions (mm)				weight Kg	element model	no. of elements
		Nm <sup>3</sup> /h	SCFM	A	B	C	D			
A018 (grade)	¼	13.6	8	50	18	152	75	0.3	E0304 (grade)	1
A019 (grade)	¼	25.5	15	50	18	152	75	0.3	E0305 (grade)	1
A028 (grade)	¼	42.5	25	70	25	191	85	0.6	E0406 (grade)	1
A038 (grade)	⅜	59.5	35	70	25	191	95	0.6	E0407 (grade)	1
A058 (grade)	½	85.0	50	70	25	232	135	0.7	E0413 (grade)	1
A059 (grade)	½	119	70	100	35	276	155	1.6	E0613 (grade)	1
A078 (grade)	¾	144	85	100	35	276	155	1.6	E0613 (grade)	1
A079 (grade)	¾	212	125	100	35	396	225	2.0	E0620 (grade)	1
A108 (grade)	1	229	135	100	35	396	225	2.0	E0620 (grade)	1
A109 (grade)	1	297	175	100	35	396	275	2.0	E0625 (grade)	1
A128 (grade)	1¼	476	280	122	42	460	320	2.8	E0730 (grade)	1
A158 (grade)	1½	545	320	122	42	460	320	2.8	E0730 (grade)	1
A159 (grade)	1½	680	400	146	52	482	325	4.2	E0830 (grade)	1
A208 (grade)	2	765	450	146	52	482	325	4.2	E0830 (grade)	1
A209 (grade)	2	1190	700	146	52	785	630	6.3	E0860 (grade)	1
A254 (grade)	2½	1445	850	210	66	595	410	8.5	E1140 (grade)	1
A340 (grade)	3	1530	900	210	66	595	410	8.5	E1140 (grade)	1
A360 (grade)	3	2125	1250	210	66	815	630	10.5	E1160 (grade)	1
A390 (grade)	3	2550	1500	210	66	975	785	12.0	E1175 (grade)	1
A391 (grade)	DN80	2160	1270	450	265	1205	700	58	E139 (grade)	1
A483 (grade)	DN100	3100	1824	520	285	1245	700	74	E88 (grade)	3
A484 (grade)	DN100	4250	2500	520	285	1245	700	74	E88 (grade)	4
A686 (grade)	DN150	6500	3824	680	400	1400	700	165	E88 (grade)	6
A688 (grade)	DN150	8720	5130	780	400	1430	700	208	E88 (grade)	8
A8810 (grade)	DN200	11000	6470	780	400	1460	700	260	E88 (grade)	10
A10816 (grade)	DN250	17000	10000	900	550	1570	700	450	E88 (grade)	16
A12824 (grade)	DN300	25500	15000	900	600	1620	700	740	E88 (grade)	24

## specification

Grade	RX25		RX5		RX1		RXA		RAC	
Particle removal	25 micron		5 micron		1 micron		0.1 micron		0.01 micron	
Maximum oil carryover at 20°C (68°F)	-		-		-		-		0.003 mg/m <sup>3</sup>	0.003 ppm
Maximum temperature	120°C	248°F	120°C	248°F	120°C	248°F	120°C	248°F	25°C	77°F
Maximum working pressure	16 barg	232 psig	16 barg	232 psig	16 barg	232 psig	16 barg	232 psig	16 barg	232 psig
Element end cap colour	black		green		red		blue		black	

Replacements and spare parts (refer to pages 38 – 41)



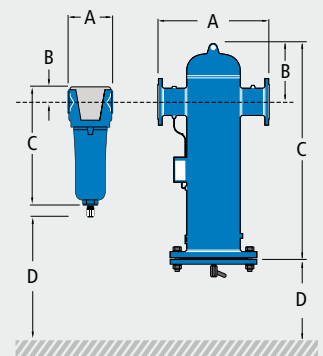
manual drain valve  
MDV 25



differential pressure gauge  
65DPIG

### technical notes

- Direction of air flow is outside to in through the filter element.
- Pop up indicators (65DPUG) are fitted to models A028 to A058 as standard. Differential pressure indicators (65DPIG) are fitted to models A059 to A12824. AC grade filters do not include DP equipment.
- Threaded filters are fitted with float operated automatic drain valves. ADV6000C on models A018 to A058 and ADV6000 on models A059 to A390. Flanged filters are fitted with manual drain valves. On models A391 to A8810, ½" are fitted; ¾" on models A10816 to A12824.
- Models A059 to A390 can be adapted to use ¼" drains with a reducer.
- An additional ½" side entry port is included on models A391 to A8810, ¾" for A10816 and A12824.
- Activated carbon filters must not operate in oil saturated conditions and will not remove certain types of gases including carbon monoxide (CO) and carbon dioxide (CO<sub>2</sub>).



A018 (grade) to A390 (grade) | A391 (grade) to A12824 (grade)

